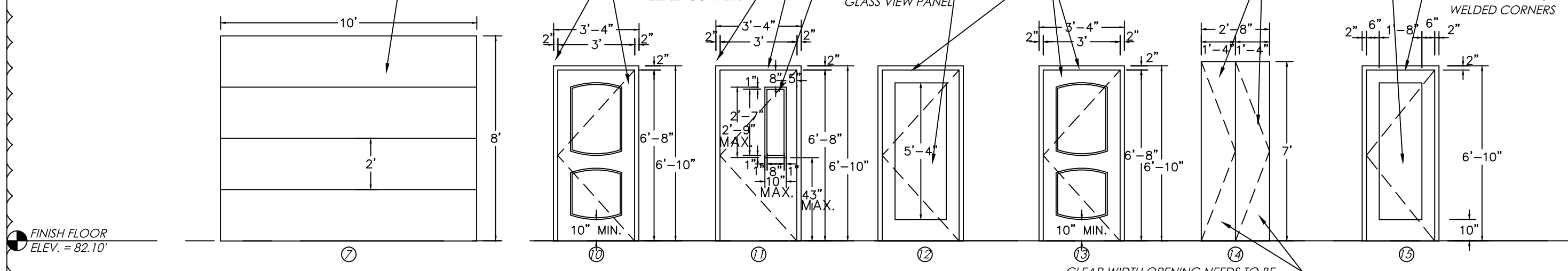


EXTERIOR DOORS & FRAMES

SCALE: 1/4" = 1'-0"



EXTERIOR DOORS & FRAMES CONT.

SCALE: 1/4" = 1'-0"

INTERIOR DOORS & FRAMES

SCALE: 1/4" = 1'-0"

DOOR SCHEDULE

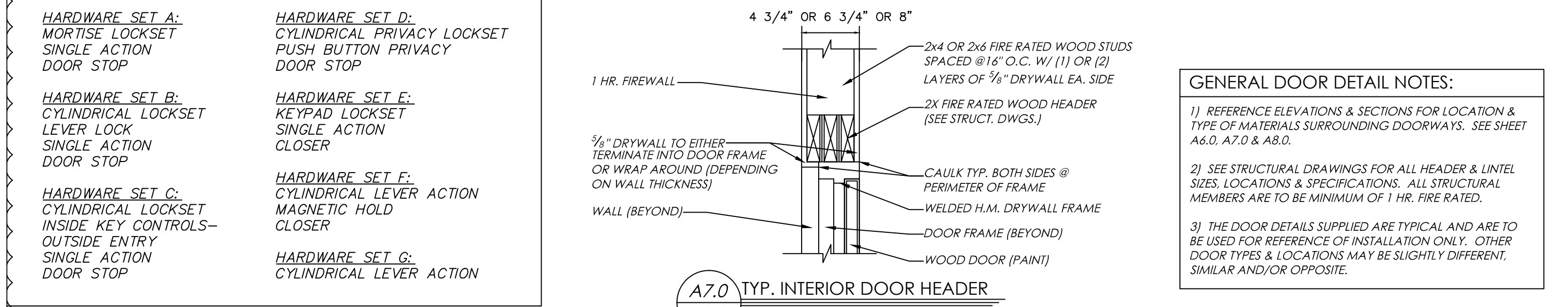
MARK	DOOR			FINISH	FIRE RATING	FRAME			GLASS	HRDW. SET	REMARKS		
	WIDTH	HEIGHT	THICK			SIZE	MATERIAL	FINISH					
EXTERIOR DOORS													
1	3'-0"	6'-8"	1-3/4"	VINYL CLAD	VINYL	-	3'-4"	6'-10"	VINYL CLAD	VINYL	LOW E CLEAR: U=.29, SHGC=.30	A	ENTRY LOCKSET
2	3'-0"	6'-8"	1-3/4"	INSUL. H.M.	PAINT	-	8'-8"	6'-10"	INSUL. H.M.	PAINT	LOW E CLEAR: U=.29, SHGC=.30	A	ENTRY LOCKSET
3	3'-0"	6'-8"	1-3/4"	INSUL. H.M.	PAINT	-	5'-4"	6'-10"	INSUL. H.M.	PAINT	LOW E CLEAR: U=.29, SHGC=.30	A	ENTRY LOCKSET
4	3'-0"	6'-8"	1-3/4"	INSUL. H.M.	PAINT	-	3'-4"	6'-10"	INSUL. H.M.	PAINT	U=.65	B	STORAGE LOCKSET
5	3'-0"	6'-8"	1-3/4"	VINYL CLAD	VINYL	-	3'-4"	6'-10"	VINYL CLAD	VINYL	LOW E CLEAR: U=.29, SHGC=.30	C	INSIDE UNLOCKED/OUTSIDE LOCKED
6	N/A	N/A	N/A	N/A	N/A	N/A	N/A	N/A	N/A	N/A	N/A	N/A	N/A
7	10'-0"	8'-0"	1-3/4"	INSUL. STEEL	PAINT	-	-	-	-	-	-	-	HRDW. BY DOOR OPENER MANUFAC.
INTERIOR DOORS													
10	3'-0"	6'-8"	1-3/4"	WOOD	PAINT	-	3'-4"	6'-10"	HOLLOW METAL	PAINT	-	D*	SEE DOOR REMARKS CONT. (BELOW)
11	3'-0"	6'-8"	1-3/4"	SOLID CORE WOOD	PAINT	90 MIN.	3'-4"	6'-10"	HOLLOW METAL	PAINT	1/4" FIXED WIRE GLS. VIEW PAN.	F	MOUNT VIEW PANEL IN STEEL FRAME
12	3'-0"	6'-8"	1-3/4"	WOOD	PAINT	-	12'-8"	6'-10"	HOLLOW METAL	PAINT	1/4" FIXED TEMP. GLASS INSERT	F*	****NO CLOSER****
13	3'-0"	6'-8"	1-3/4"	WOOD	PAINT	-	3'-4"	6'-10"	HOLLOW METAL	PAINT	-	G	MUST BE SMOKE RESISTING DOORS
14	1'-4"	7'-0"	1-3/4"	WOOD	PAINT	-	-	-	-	-	-	-	HRDW. BY OWNER/CONTRACTOR
15	2'-8"	6'-8"	1-3/4"	SOLID CORE WOOD	PAINT	90 MIN.	3'-0"	6'-10"	HOLLOW METAL	PAINT	1/4" FIXED WIRE GLS. VIEW PAN.	F	N/A

DOOR REMARKS CONT.:
 *DOORS IN ROOMS 112A, 112B, 161A, & 161B HAVE CLOSERS AS WELL AS KEYPAD ENTRY HARDWARE SET "E". INSIDE UNLOCKED, OUTSIDE LOCKED.

DOOR NOTES:
 1. DOORWAYS SHALL HAVE A MINIMUM CLEAR OPENING OF 32 INCHES WITH THE DOOR OPEN 90 DEGREES, MEASURED BETWEEN THE FACE OF THE DOOR AND THE OPPOSITE STOP. ALL DOOR INSTALLATIONS MUST COMPLY WITH A.D.A.

DOOR HARDWARE NOTES:
 1. HANDLES, PULLS, LATCHES, LOCKS, AND OTHER OPERATING DEVICES ON ACCESSIBLE DOORS SHALL HAVE A SHAPE THAT IS EASY TO GRASP WITH ONE HAND AND DOES NOT REQUIRE TIGHT GRASPING, TIGHT PINCHING, OR TWISTING OF THE WRIST TO OPERATE. LEVER-OPERATED MECHANISMS, PUSH-TYPE MECHANISMS, AND U-SHAPED HANDLES ARE ACCEPTABLE DESIGNS. HARDWARE REQUIRED FOR ACCESSIBLE DOOR PASSAGE SHALL BE MOUNTED NO HIGHER THAN 48" A.F.F.
 2. THE SWEEP PERIOD OF ALL CLOSERS SHALL BE ADJUSTED SO THAT FROM AN OPEN POSITION OF 90 DEGREES, THE TIME REQUIRED TO MOVE THE DOOR TO A POSITION OF 12 DEGREES FROM THE LATCH IS 5 SECONDS MINIMUM.
 3. ALL DOORS IN A 2 HOUR FIRE WALL DELINEATED AS "11" HAVE CLOSERS, THESE DOORS WILL ALSO BE HELD OPEN BY MAGNETIC HOLDS UNTIL THE FIRE ALARM IS ACTIVATED. ALL OTHER DOORS WILL NOT POSSESS CLOSERS UNLESS DELINEATED BY A *.

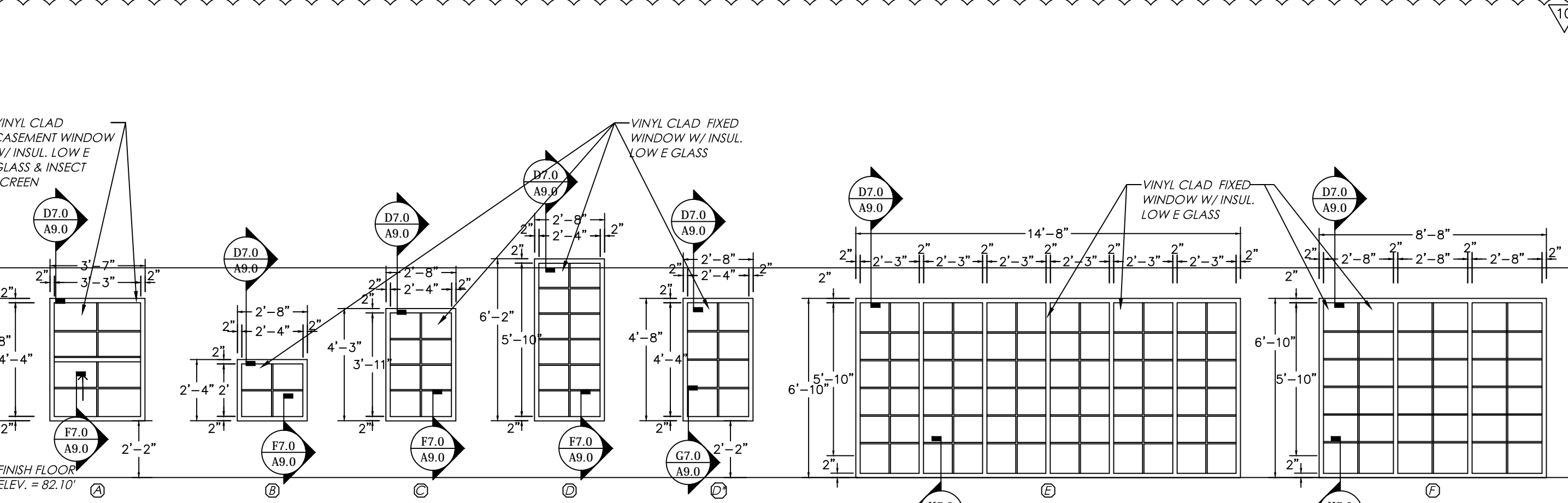
THRESHOLD NOTES:
 1. THRESHOLDS AT DOORWAYS SHALL NOT EXCEED 1/2" IN HEIGHT, CHANGES IN LEVEL BETWEEN 1/4" HIGH MINIMUM AND 1/2" HIGH MAXIMUM SHALL BE BEVELLED WITH A SLOPE NOT STEEPER THAN 1:2. CHANGES IN LEVEL OF 1/4" HIGH MAXIMUM SHALL BE PERMITTED TO BE VERTICAL.



A7.0 TYP. INTERIOR DOOR HEADER
A9.0 TYP. EXTERIOR DOOR HEADER
C7.0 TYP. GARAGE DOOR HEADER
 SCALE: 1" = 1'-0"

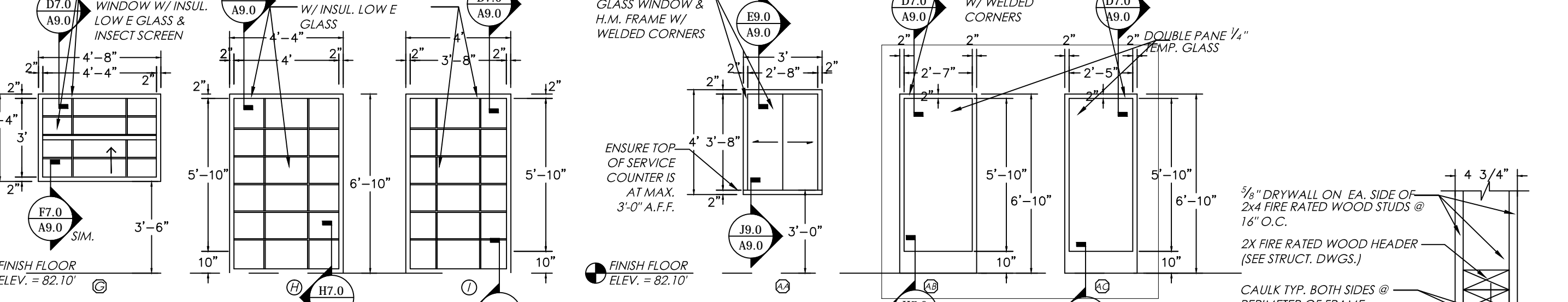


D7.0 TYP. EXT. WINDOW HEADER
F7.0 TYP. EXT. WINDOW SILL
H7.0 EXT. F.F. WINDOW SILL
J9.0 TYP. INT. WINDOW SILL
 SCALE: 1" = 1'-0"



EXTERIOR WINDOWS

SCALE: 1/4" = 1'-0"

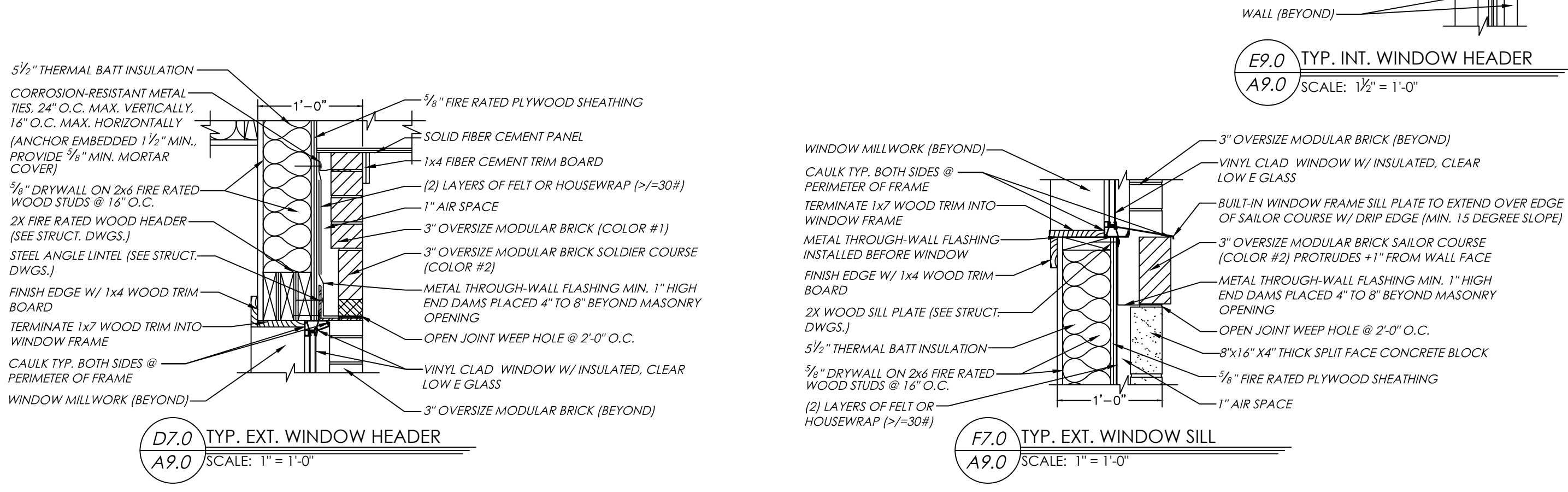


EXTERIOR WINDOWS

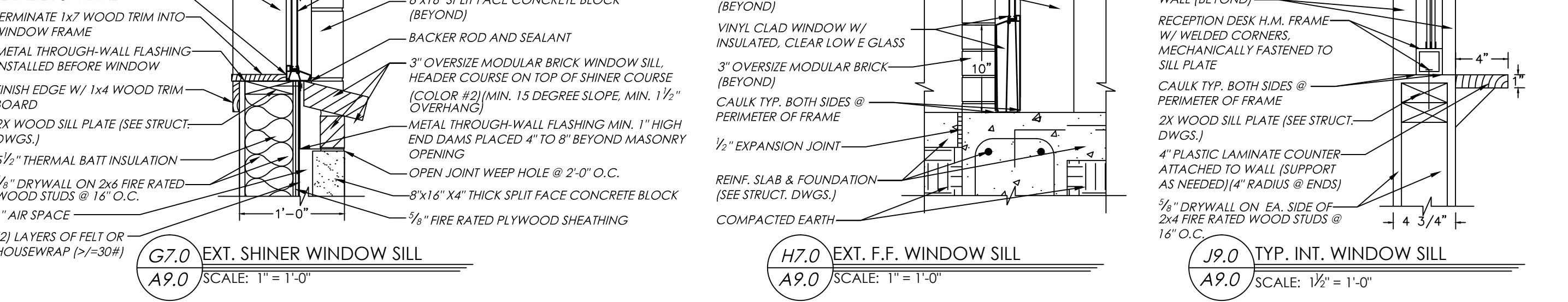
SCALE: 1/4" = 1'-0"

INT. WINDOW

SCALE: 1/4" = 1'-0"



D7.0 TYP. EXT. WINDOW HEADER
F7.0 TYP. EXT. WINDOW SILL
H7.0 EXT. F.F. WINDOW SILL
J9.0 TYP. INT. WINDOW SILL
 SCALE: 1" = 1'-0"



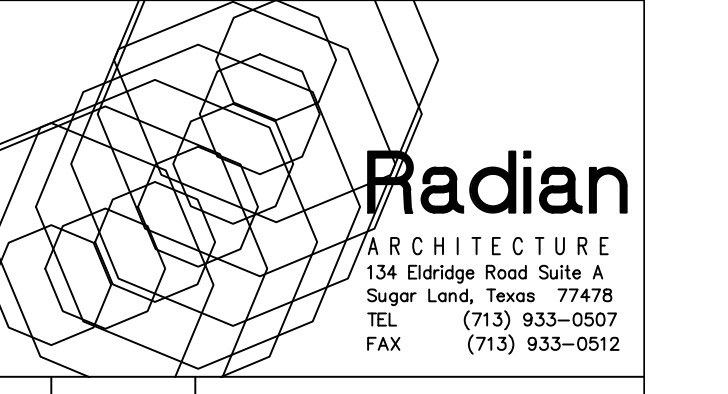
G7.0 EXT. SHINER WINDOW SILL
H7.0 EXT. F.F. WINDOW SILL
J9.0 TYP. INT. WINDOW SILL
 SCALE: 1" = 1'-0"

WINDOW SCHEDULE

MARK	WINDOW		MATERIAL	FINISH	FIRE RATING	GLASS	REMARKS
	WIDTH	HEIGHT					
EXTERIOR WINDOWS							
A	3'-7"	4'-8"	VINYL CLAD	VINYL	-	LOW E CLEAR: U=.29, SHGC=.30	SLIDING SINGLE HUNG WINDOW 798 SF-GROSS AREA (PERIMETER)
B	2'-8"	2'-4"	VINYL CLAD	VINYL	-	LOW E CLEAR: U=.29, SHGC=.30	96 SF-GROSS AREA (PERIMETER)
C	2'-8"	4'-3"	VINYL CLAD	VINYL	-	LOW E CLEAR: U=.29, SHGC=.30	120 SF-GROSS AREA (PERIMETER)
D	2'-8"	6'-2"	VINYL CLAD	VINYL	-	LOW E CLEAR: U=.29, SHGC=.30	109 SF-GROSS AREA (PERIMETER)
D*	2'-8"	4'-8"	VINYL CLAD	VINYL	-	LOW E CLEAR: U=.29, SHGC=.30	150 SF-GROSS AREA (PERIMETER)
E	14'-8"	6'-10"	VINYL CLAD	VINYL	-	LOW E CLEAR: U=.29, SHGC=.30	428 SF-GROSS AREA (PERIMETER)
F	8'-8"	6'-10"	VINYL CLAD	VINYL	-	LOW E CLEAR: U=.29, SHGC=.30	189 SF-GROSS AREA (PERIMETER)
G	4'-8"	3'-4"	VINYL CLAD	VINYL	-	LOW E CLEAR: U=.29, SHGC=.30	SLIDING SINGLE HUNG WINDOW
H	4'-4"	6'-10"	VINYL CLAD	VINYL	-	LOW E CLEAR: U=.29, SHGC=.30	108 SF-GROSS AREA (PERIMETER)
I	4'-0"	6'-10"	VINYL CLAD	VINYL	-	LOW E CLEAR: U=.29, SHGC=.30	310 SF-GROSS AREA (PERIMETER)
INTERIOR WINDOWS							
AA	3'-0"	4'-0"	HOLLOW METAL	PAINT	-	1/4" TEMPERED GLASS	SLIDING GLASS DOORS
AB	2'-11"	6'-10"	HOLLOW METAL	PAINT	-	1/4" TEMPERED GLASS	FIXED WINDOW
AC	2'-9"	6'-10"	HOLLOW METAL	PAINT	-	1/4" TEMPERED GLASS	FIXED WINDOW

GENERAL WINDOW DETAIL NOTES:
 1) REFERENCE ELEVATIONS & SECTIONS FOR LOCATION & TYPE OF MATERIALS SURROUNDING WINDOWS. SEE SHEET A6.0, A7.0 & A8.0.
 2) SEE STRUCTURAL DRAWINGS FOR ALL HEADER, LINTEL & SILL PLATE SIZES, LOCATIONS & SPECIFICATIONS. ALL STRUCTURAL MEMBERS ARE TO BE MINIMUM OF 1 HR. FIRE RATED.
 3) THE WINDOW DETAILS SUPPLIED ARE TYPICAL AND ARE TO BE USED FOR REFERENCE OF INSTALLATION ONLY. OTHER WINDOW TYPES & LOCATIONS MAY BE SLIGHTLY DIFFERENT, SIMILAR AND/OR OPPOSITE.
 4) PROVIDE SCREENS ON ALL OPERABLE WINDOWS THOUGH THE FACILITY

**Optimum Personal Care
 Assisted Living Phase 2**
 1110/12/14 Lakeview Dr.
 Sugar Land, Texas 77478



#	Date	Description
1	12.10.12	SCHEMATIC DESIGN
2	02.28.13	50% CONSTRUCTION DOCS.
3	05.30.13	CONTRACTOR SET
4	08.14.13	CONTRACTOR SET - #2
5	08.30.13	PERMIT / TDADS SETS
6	09.10.13	ACI CHANGES
7	11.25.13	TDADS COMMENTS
8	12.10.13	CITY COMMENTS
9	01.23.14	CITY COMMENTS
10	07.17.14	DOORS/WINDOWS REV.
11	08.20.14	FIRE SCREEN WALL
12	10.14.14	PERMIT SET #2
13	07.07.15	GREAT RM. MILLWORK
14	07.10.15	PHASE 2 REVISION
15	09.30.15	CITY COMMENTS
16	05.21.18	PERMIT 3



Project No. 1201.31
DOOR + WINDOW SCHEDULE
 Sheet No.
A9.0