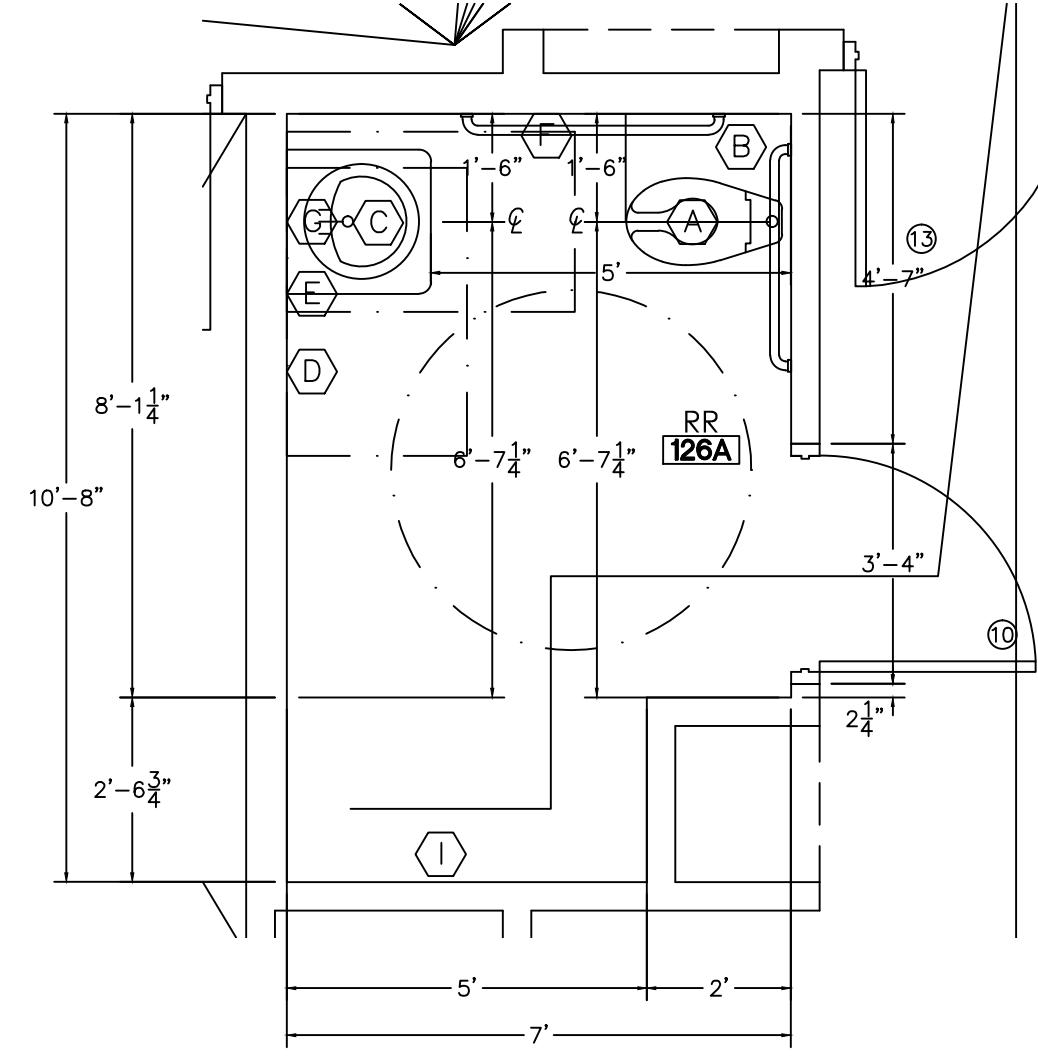
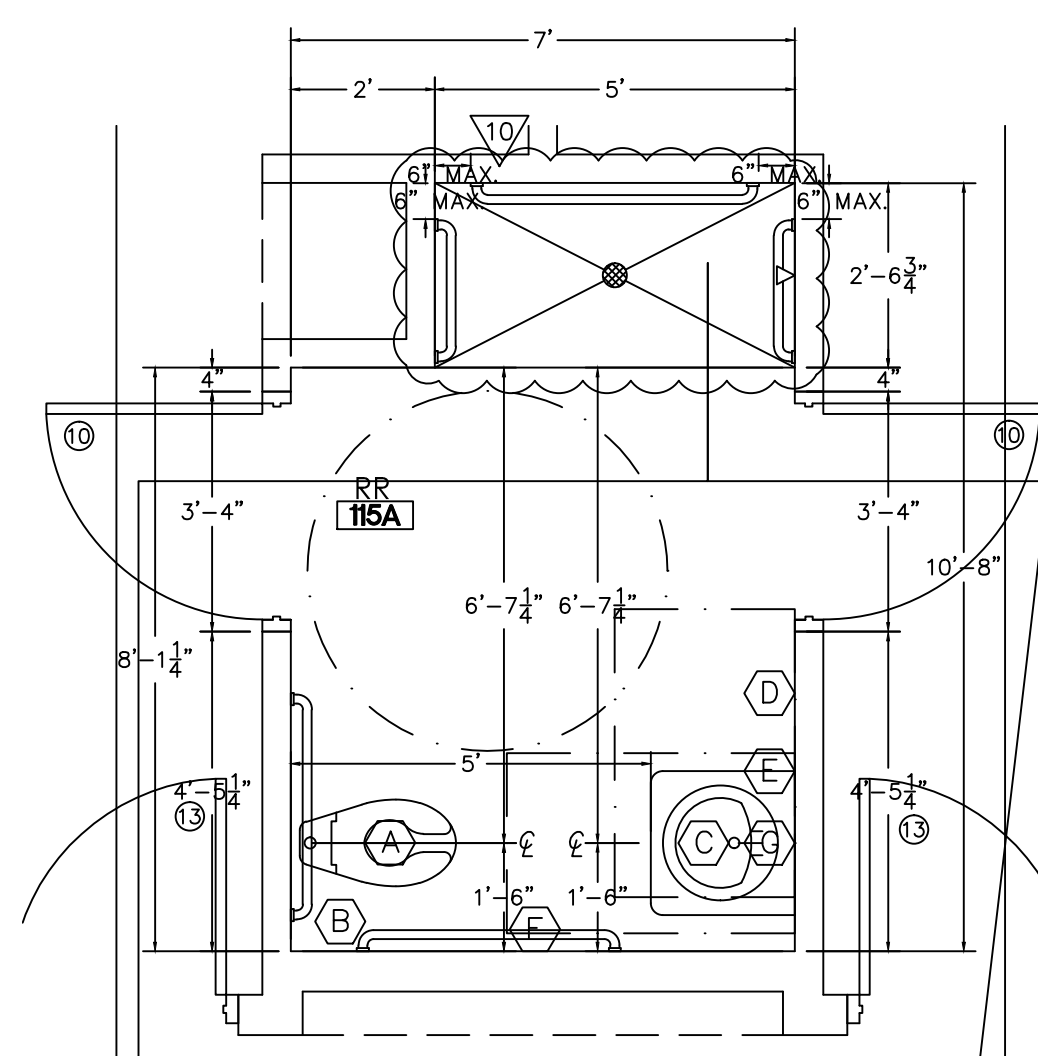


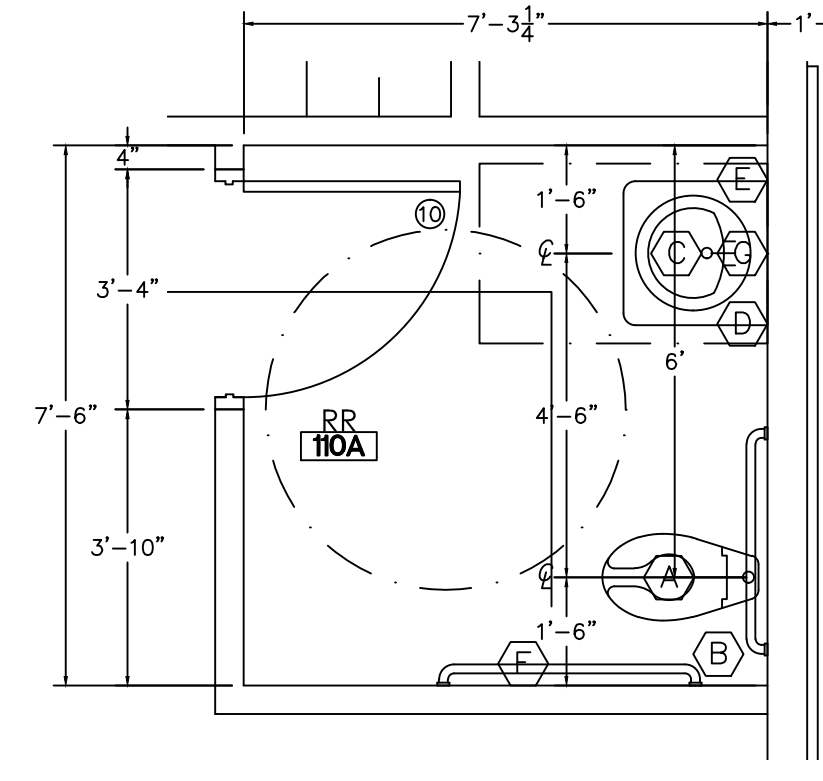
A2.1 SINGLE RR 121, 122, 153, & 154  
A10.0 SCALE: 3/8" = 1'-0"



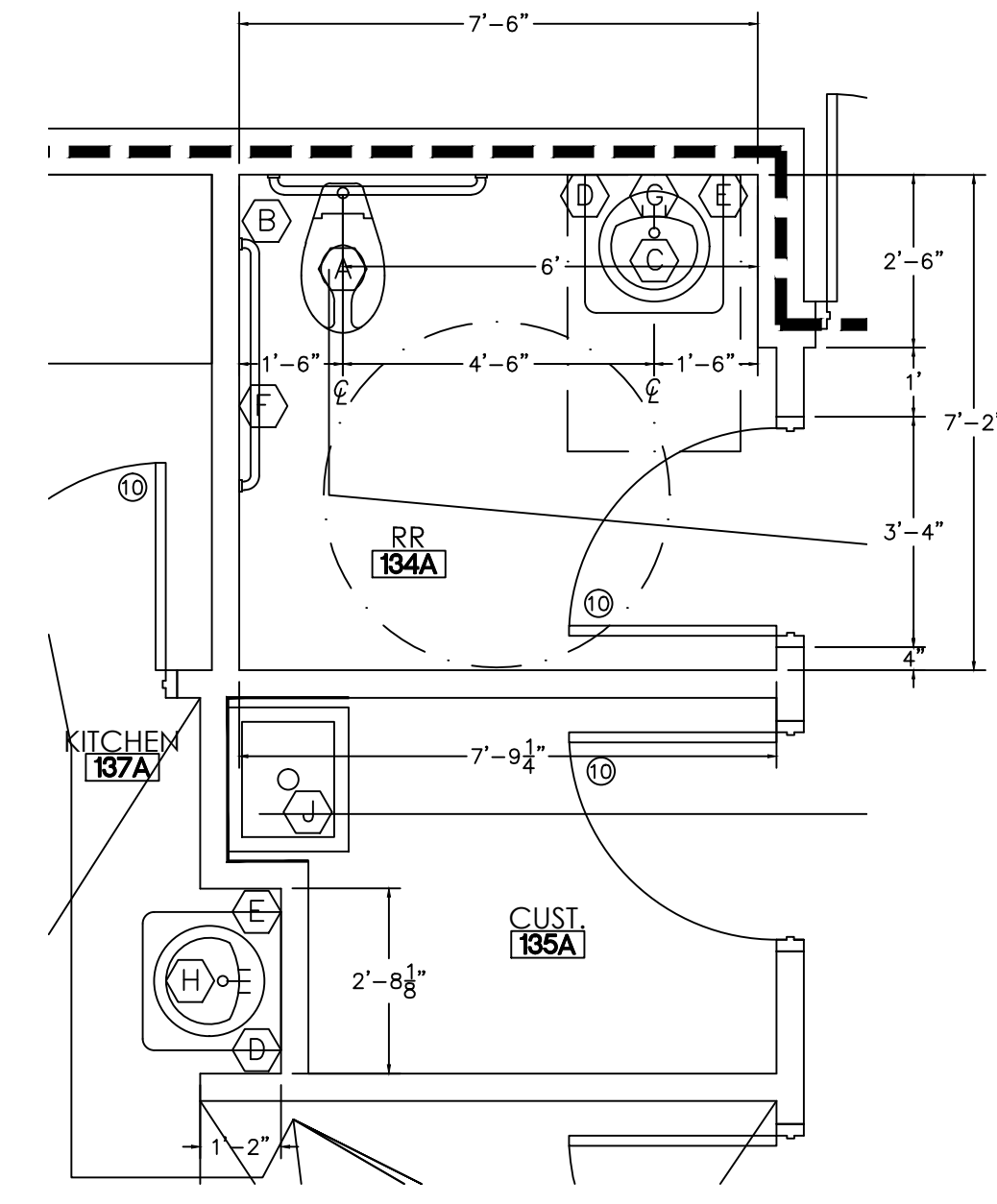
B2.1 SINGLE RR 126 & 148  
A10.0 SCALE: 3/8" = 1'-0"



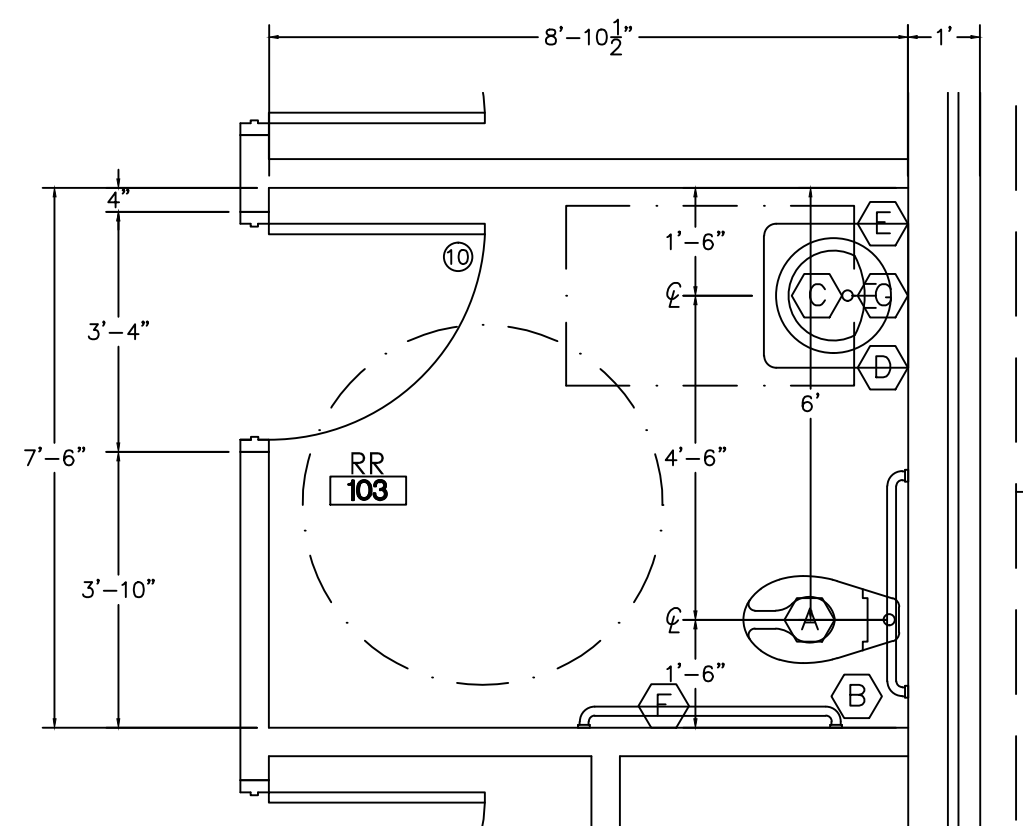
C2.1 SHARED RR 115, 130, 143, & 157  
A10.0 SCALE: 3/8" = 1'-0"



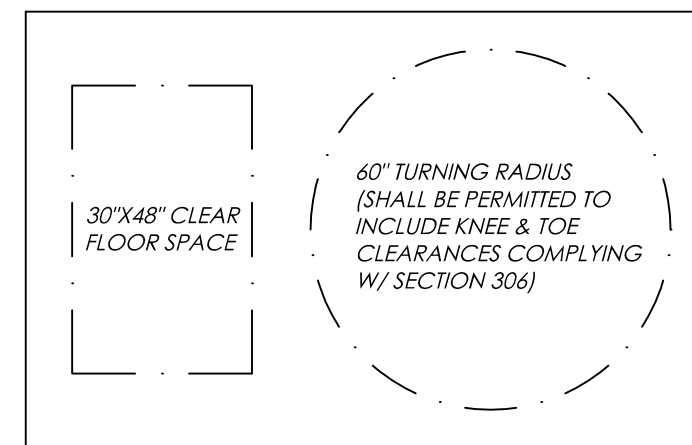
D2.1 VISITOR RR 110 & 163  
A10.0 SCALE: 3/8" = 1'-0"



E2.1 KITCHEN RR 134  
A10.0 SCALE: 3/8" = 1'-0"



F2.1 ADMINISTRATION RR 103  
A10.0 SCALE: 3/8" = 1'-0"

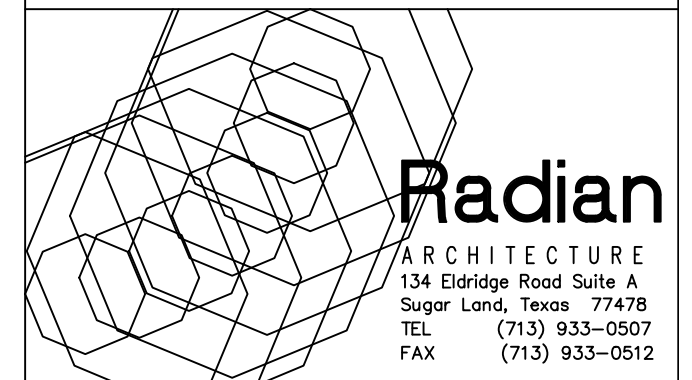


RESTROOM FIXTURE LEGEND	
#	INDICATES KEY SYMBOL INDICATING CONTRACTOR SUPPLIED / INSTALLED RESTROOM FIXTURE
A	A.D.A. APPROVED WALL MOUNTED MANUAL FLUSH VALVE TYPE TOILET. THE TOILET SEAT HEIGHT SHALL BE 17" MIN. AND 19" MAX. A.F.F. MEASURED TO THE TOP OF THE SEAT.
B	A.D.A. APPROVED GRAB BARS, 1 1/4" MIN. DIAMETER TO 2" MAX. DIAMETER FOR GRAB BARS WITH A CIRCULAR CROSS SECTION. ANCHOR GRAB BARS TO RESIST BENDING MOMENT FROM THE APPLICATION OF 250#/L.F. THE SPACE BETWEEN THE WALL AND THE GRAB BAR, AS WELL AS THE SPACE BETWEEN THE GRAB BAR AND PROJECTING OBJECTS BELOW AND AT THE ENDS SHALL BE 1 1/2" MIN. THE SIDE WALL GRAB BAR SHALL BE 42" LONG MIN., LOCATED 12" MAX. FROM THE REAR WALL AND EXTENDING 24" MIN. FROM THE REAR WALL. THE REAR WALL GRAB BAR SHALL BE 36" LONG MIN. AND EXTEND FROM THE CENTERLINE OF THE WATER CLOSET 12" MIN. ON ONE SIDE AND 24" MIN. ON THE OTHER SIDE. GRAB BARS SHALL BE INSTALLED IN A HORIZONTAL POSITION, 33" MIN. AND 36" MAX. A.F.F. MEASURED TO THE TOP OF THE GRIPPING SURFACE.
C	A.D.A. APPROVED WALL HUNG SINK. SINKS SHALL BE INSTALLED WITH THE FRONT OF THE HIGHER OF THE RIM OR COUNTER SURFACE 34" MAX. A.F.F.. SINKS SHALL COMPLY WITH ALL APPLICABLE KNEE AND TOE CLEARANCES SPECIFIED IN SECTION 306.
D	INDICATES WALL HUNG PAPER TOWEL DISPENSER. PAPER TOWEL DISPENSER SHALL BE INSTALLED WITH BOTTOM AT 40" MAX. A.F.F.. ENSURE PAPER TOWEL DISPENSER PROTRUDES 4" MAX. HORIZONTALLY OFF FACE OF WALL.
E	INDICATES WALL HUNG HAND SOAP DISPENSER. SOAP DISPENSER SHALL BE INSTALLED WITH BOTTOM AT 40" MAX. A.F.F.. ENSURE SOAP DISPENSER PROTRUDES 4" MAX. HORIZONTALLY OFF FACE OF WALL.
F	INDICATES TOILET PAPER HOLDER. HOLDER TO BE INSTALLED AT 7" MIN. TO 9" MAX. FROM FRONT EDGE OF TOILET AND MOUNTED 15"-48" A.F.F. AT CENTERLINE.
G	16"X36" STAINLESS STEEL EDGE CABINET MIRROR. TO BE INSTALLED ABOVE THE CENTER OF THE SINK AND MOUNTED 40" MAX. A.F.F. TO BOTTOM OF REFLECTIVE SURFACE. ENSURE CABINET MIRROR PROTRUDES 4" MAX. HORIZONTALLY OFF FACE OF WALL.
H	A.D.A. APPROVED STAINLESS STEEL WALL HUNG HAND PREP / HAND-WASHING SINK. SINKS SHALL BE INSTALLED WITH THE FRONT OF THE HIGHER OF THE RIM OR COUNTER SURFACE 34" MAX. A.F.F.. SINKS SHALL COMPLY WITH ALL APPLICABLE KNEE AND TOE CLEARANCES SPECIFIED IN SECTION 306.
I	WALK IN TUB. REFER OWNER FOR SPECIFICATIONS
J	CODE COMPLIANT FLOOR MOUNTED MOP/SERVICE SINK.

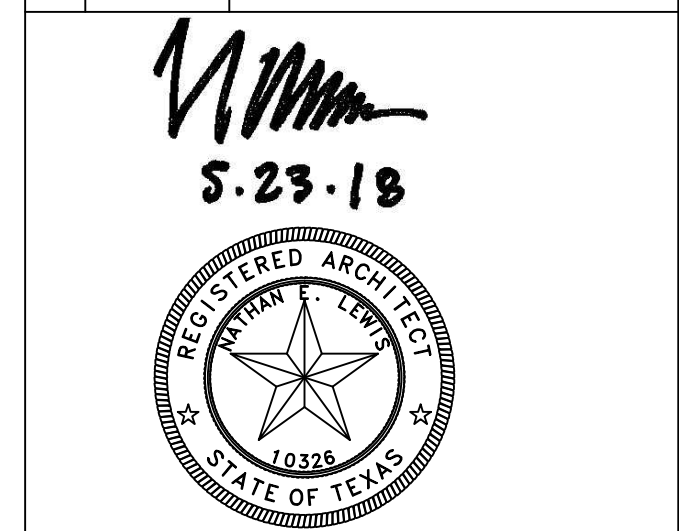
**GENERAL RESTROOM NOTES:**

- 1) THE RESTROOM PLANS SHOWN ON THIS SHEET REFERENCE ALL THE DIFFERENT TYPES OF RESTROOMS IN THIS PROJECT (SEE TILED ROOM NUMBERS BELOW THE PLANS). OTHER RESTROOMS MAY BE OPPOSITE ORIENTATION, BUT ALL REFLECT THE SAME LAYOUT & DIMENSIONS.
- 2) SEE RESTROOM PLANS FOR FIXTURE LOCATIONS & FIXTURE SCHEDULE FOR INSTALLATION/MOUNTING SPECIFICATIONS.
- 3) ALL INSTALLATIONS MUST COMPLY WITH A.D.A. REQUIREMENTS MENTIONED IN THE RESTROOM FIXTURE LEGEND ON THIS SHEET.
- 4) REFER TO PLUMBING DRAWINGS FOR PLUMBING FIXTURE SPECIFICATIONS.

**Optimum Personal Care  
Assisted Living Phase 2**  
1110/12/14 Lakeview Dr.  
Sugar Land, Texas 77478



#	Date	Description
1	12.10.12	SCHEMATIC DESIGN
2	02.28.13	50% CONSTRUCTION DOCS.
3	05.30.13	CONTRACTOR SET
4	08.14.13	CONTRACTOR SET - #2
5	08.30.13	PERMIT / TDADS SETS
6	09.10.13	ACI CHANGES
7	11.25.13	TDADS COMMENTS
8	12.10.13	CITY COMMENTS
9	01.23.14	CITY COMMENTS
10	07.17.14	DOORS/WINDOWS REV.
11	08.20.14	FIRE SCREEN WALL
12	10.14.14	PERMIT SET #2
13	07.07.15	GREAT RM. MILLWORK
14	07.10.15	PHASE 2 REVISION
15	09.30.15	CITY COMMENTS
16	05.21.18	PERMIT 3



Project No. 1201.31  
**ENLARGED RESTROOM PLANS**  
Sheet No.  
**A10.0**